



Heavy Duty Tripod Turnstile

ET1000

OPTIONAL INTEGRATION



Specification

Passage width : 520mm
Throughput rate : 35 p/m
Power supply : 100 ~ 240V
Operational voltage : 24V
Max power consumption : 30 W
Frequency : 50 ~ 60hz
Protection level : IP44
Working temperature : -25°C to +70°C
Electro - magnetic drive : DC
Dimension excluding bar (in mm) : (L)480 x (W)280 x (H)980
Net weight including bar : 44kg

Features

Controller

- Semi-Auto mode
- Pure mechanical mode
- Single or Bi-directional function in mechanical and electrical versions
- Automatic reset of barrier arms after each passage
- Adjustable time out delay

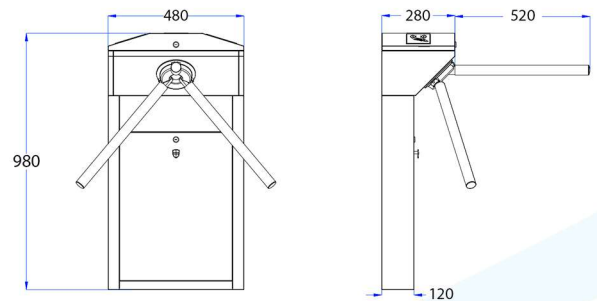
Operating Mode

- Single passage in the set direction
- Bi-directional passage
- Free passage in the set direction
- Always free or locked

Materials

- Housing : SS304
- Barrier Arms : Stainless steel
- Lid (Optional) : Stainless steel or artificial stone (black / brown)

Dimensions



Disclaimer: Brief specifications are mentioned here. Specifications may change without prior notice. Customers are advised to check with us before purchase. Actual product may differ slightly to that depicted for ongoing product development