



Intelligent Smart Door Lock

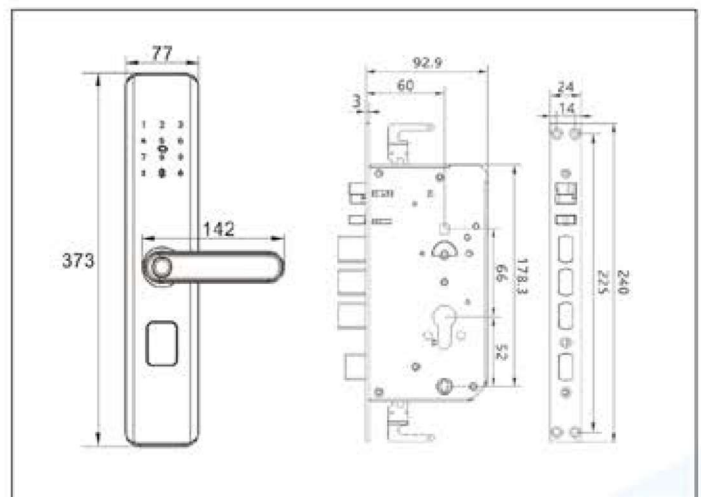
FL 200

Specification



- Main Body Material : Alum. Alloy
- Fingerprint Capacity : 100 | ID Card Capacity : 100
- Password Capacity : 100 | Bolt Material : SUS 304+201
- Voice Guidance : Yes | Handing : Universal
- Fingerprint Sensor : semiconductor
- Fingerprint Users (no) : all user 300 in total,depends on you
- Emergency Key Type: " Single row of 6 beads"
- Emergency Key (no) : 1
- Card Type : Like Mifare/14.7 Mhz+_0.3
- Card Users (No) : all user 300 in total,depends on you
- Keypad Type : Touchpad
- Code Length : 8
- Pin Code (Users) : all user 300 in total, depends on you
- Working Voltage : 6V
- Battery : 4 AA
- Working Temp (Degree Celsius) : minus 25 to 70 degree
- Emergency Power : Like 5 V Micro USB

Dimension



Disclaimer: Brief specifications are mentioned here. Specifications may change without prior notice. Customers are advised to check with us before purchase. Actual product may differ slightly to that depicted for ongoing product development