

Hydraulic Bollards

HBX-220



Specification

Motor voltage: 220 V

Drive: Hydraulic and electric motor integrated

Input power: 1200 w

Warning device: LED light + reflective tape

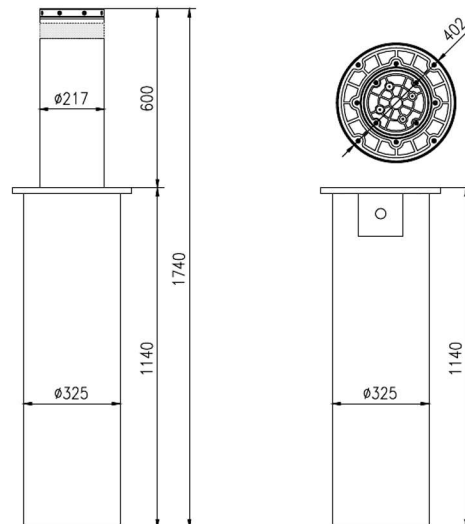
Up/Down time: 4s

Lift height: 600mm

Control function: control unit

Working environment: -30°C ~ 55°C

Dimensions



Disclaimer: Brief specifications are mentioned here. Specifications may change without prior notice. Customers are advised to check with us before purchase. Actual product may differ slightly to that depicted for ongoing product development