



Swing Barrier

SB-Q-3000 (900mm)



SB-Q-3000 (L)

SB-Q-3000 (R)

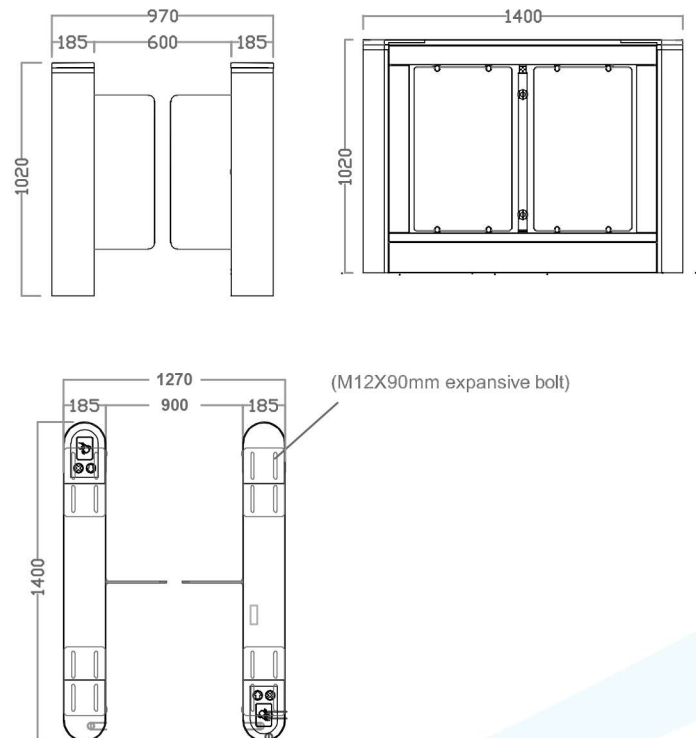
Specification

Passage width (max) : 900 mm
Throughput rate : 40 p/m
Power supply : 220 ~ 240 V AC
Operational voltage : 24 V DC
Max power consumption : 50w
Frequency : 50 ~ 60hz
Protection level : IP 54
Working temperature : -25°C ~ +70°C
Electro-magnetic drive : DC
Dimension excluding bars in mm : 1400x185x1020
Net weight including bars : 99 Kg(single door)
124 Kg(double door)

Features

- Use IC cards, ID cards, bar code or magnetic cards as automatic identification system.
- Display has been in use for statistics and numbers with voice and strobe light alerts
- A combination of infrared sensors and police anti-illegal entry into pedestrian access.
- Double anti-clipping function, photocell anti-clipping and mechanical anti-clipping
- The barrier can be set to delay closing in 1 ~ 60s after a valid card reading
- Single passage in the set direction
- Bi-directional single passage
- Plastic toughened glass
- Always free or locked

Dimensions



Disclaimer: Brief specifications are mentioned here. Specifications may change without prior notice. Customers are advised to check with us before purchase. Actual product may differ slightly to that depicted for ongoing product development